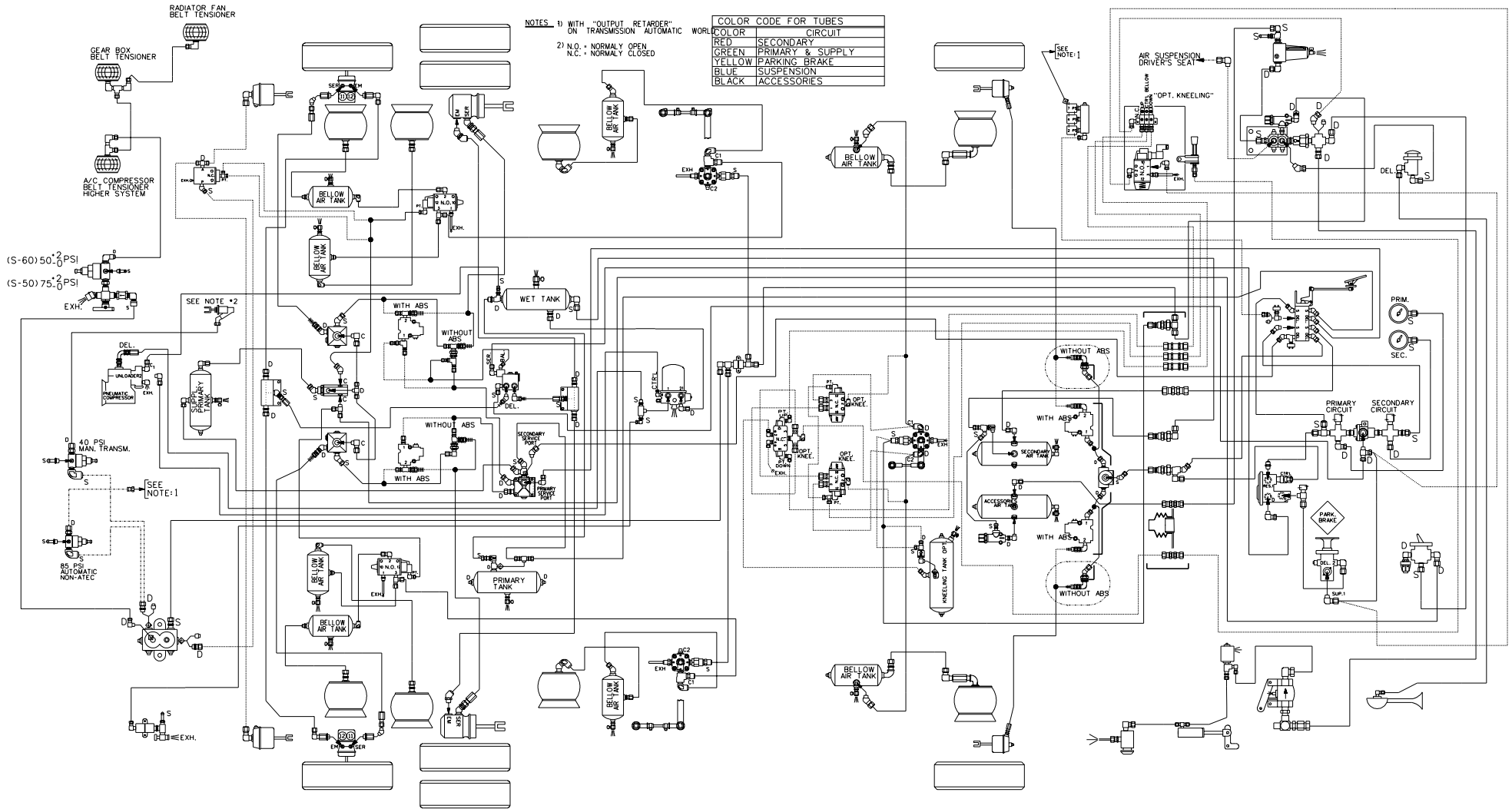


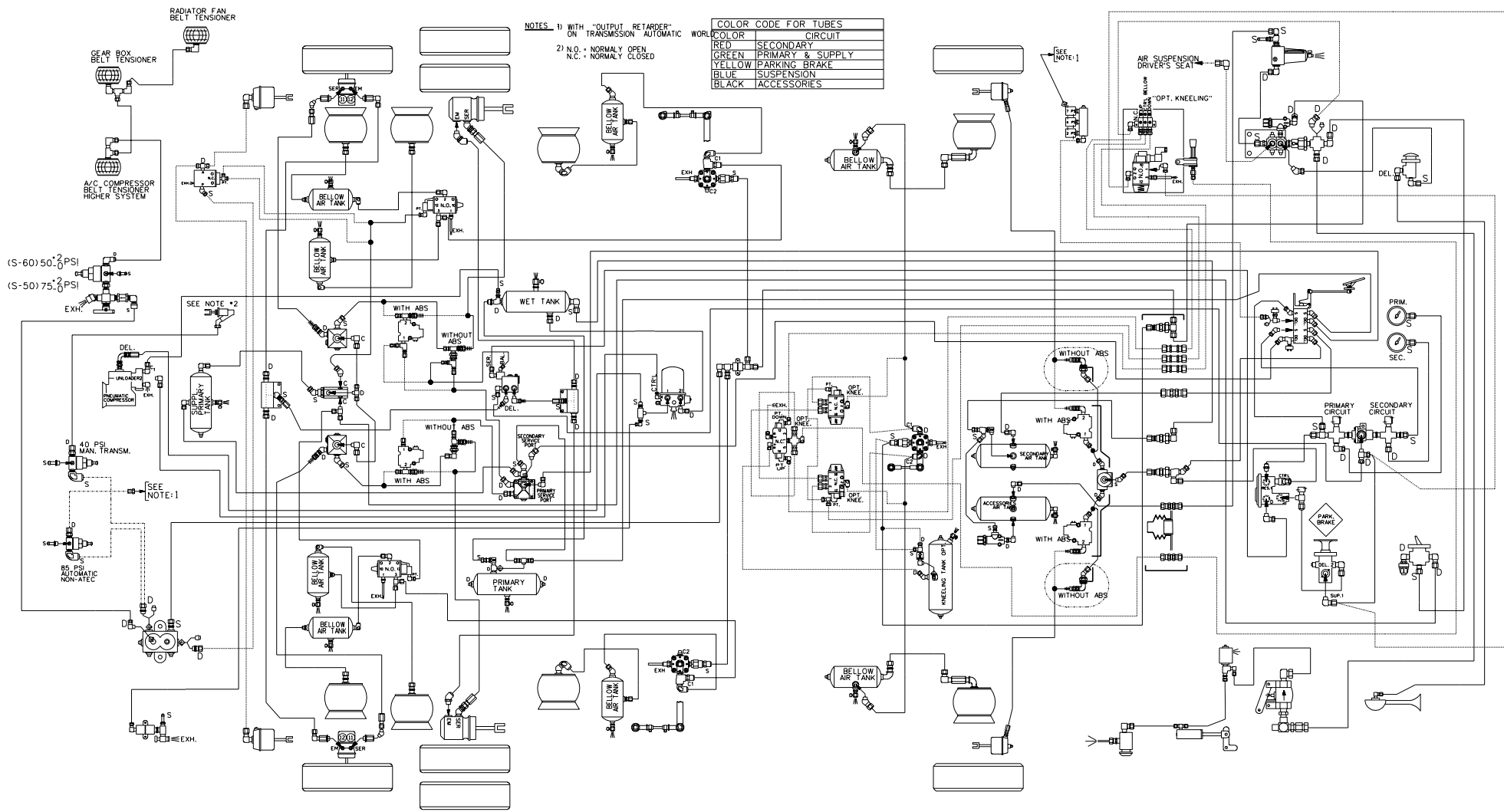
NOTES: 1) WITH 'OUTPUT RETARDER' ON TRANSMISSION AUTOMATIC WORLD
 2) N.O. = NORMALLY OPEN
 N.C. = NORMALLY CLOSED

COLOR CODE FOR TUBES	
COLOR	CIRCUIT
RED	SECONDARY
GREEN	PRIMARY & SUPPLY
YELLOW	PARKING BRAKE
BLUE	SUSPENSION
BLACK	ACCESSORIES

DI40237 REV. F

COACH XL 40' & 45' SERIES 60
 INDEPENDENT FRONT SUSPENSION (IFS)





NOTES 1) WITH "OUTPUT RETARDER"
ON TRANSMISSION AUTOMATIC WORK
2) N.O. - NORMALY OPEN
N.C. - NORMALY CLOSED

COLOR	CIRCUIT
RED	SECONDARY
GREEN	PRIMARY & SUPPLY
YELLOW	PARKING BRAKE
BLUE	SUSPENSION
BLACK	ACCESSORIES

(S-60) 50 $\frac{2}{0}$ PSI
(S-50) 75 $\frac{2}{0}$ PSI